

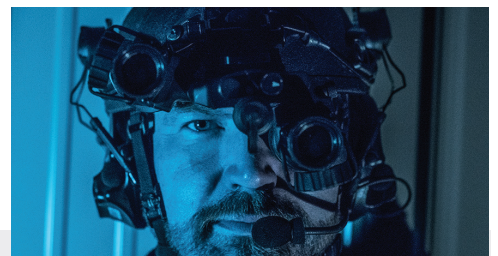
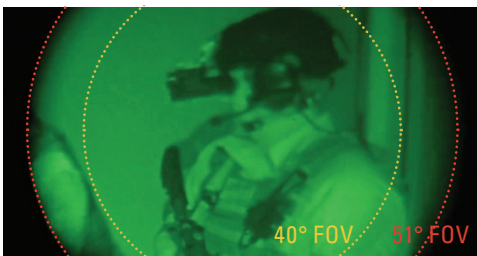


NIGHT VISION BINOCULARS

FLIR BNVD-51™

The FLIR BNVD is a dual-channel night vision system. With a 51° field of view (FOV), it provides a large visual field without needing to move the binoculars. The BNVD uses advanced multi-coated optics and is built to last with a compact composite housing. Operating from a single AA alkaline battery or CR123A battery, the BNVD can run up to 20 hours. Also equipped with an integral infrared illuminator for reading in the dark.

www.flir.com



EXCEPTIONAL VISION

Exceptional Field of View and built-in infrared illuminator

- With a 51° field of view (FOV), the BNVD provides a large visual field without needing to move the binoculars, and makes it easier to track moving objects.
- Built-in IR illuminator enhances night vision and allows for reading in the dark.

COMPACT AND RUGGED

Perfect balance of size and performance

- Built with a tough, ergonomic composite housing that is water and fog resistant.
- Needing only a single AA battery or one CR123 battery for convenient operation, can run up to 20 hours. An optional battery pack mounted behind the helmet extends the use up to 80 hours.

FLEXIBLE MOUNTING OPTIONS

Packed with features for a versatile and customizable viewing experience

- For hands-free operation, the BNVD includes head and helmet mounting options. It can be used as binoculars, a monocular, or goggles, and also stowed out of the way.
- Operated by a single gain control knob, the BNVD utilizes features like a flip-up-turn-off, and a flip-down-turn-back-on option when mounted to a helmet.

SPECIFICATIONS

General	BNVD-51
Image intensifier tube	Gen 2+ with a Luminous Sensitivity of 350 or less
Magnification	1x
Lens system	19 mm; F/1.26
FOV	51°
Focus range	0.25m to Infinity
Eye relief	17 mm
Diopter adjustment	-6 to +2 dpt

User Interface	
Operation switch	Power ON/ OFF; IR illuminator ON/ OFF
Gain control knob	Adjust the image brightness
Diopter adjustment rings	Adjusts the eyepiece diopter
Focus rings	Adjusts the objective lens focus
LED indicators	Indicates low battery, IR on, and excessive light conditions

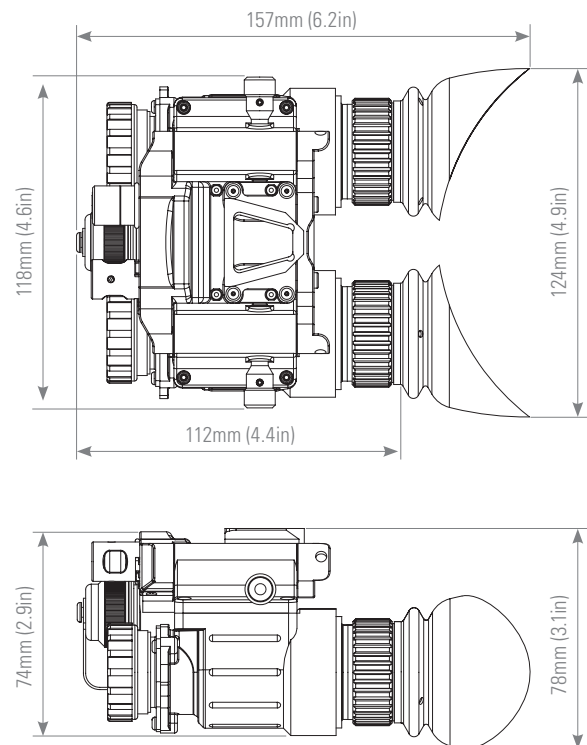
Features	
Manual gain control	Yes
Bright light cut-off	Yes
Automatic shut-off system	Yes
Low battery indicator	Yes
Infrared illuminator	Yes

Power	
Battery type	One CR123A (3V) or AA (1.5 V)
Battery life (operating)	Up to 20 hours (up to 80 hrs with optional battery pack) at 20°C

Environmental	
Operating temperature range	-40°C to +50°C (-40°F to +122°F)
Storage temperature range	-50°C to +50°C (-58°F to +122°F)

Physical	
Weight	615 g (1.35 lbs)
Overall dimensions	157 × 124 × 78 mm (6.2 × 4.9 × 3.1 in)
Dimensions (without eyecup and lens cap)	112 × 118 × 74 mm (4.4 × 4.6 × 2.9 in)
Color (housing)	Black
Country of origin	USA

Package Includes
 Night Vision Binoculars, NVG Interface Shoe (preinstalled), Bayonet/Horn Interface Shoe, Sacrificial Window (2), Demist Shield (2), Lens Cloth, Soft Carrying Case



Specifications are subject to change without notice.
 For the most up-to-date specs, go to www.flir.com

FLIR OUTDOOR & TACTICAL SYSTEMS

9 Townsend West,
 Nashua, NH 03063

Phone: 1-888-959-2259
 or (603) 324-7600
 Fax: 1-888-959-2260

FLIR PRODUCT REPAIR CENTER

email: US_CBUrepair@flir.com
 Register on: customer.flir.com

ORDER PLACEMENT, RETURN TO STOCK & INQUIRIES

email: OTS-Orders@flir.com

PRODUCT REGISTRATION

flir.com/support-center/support-hq/

TECHNICAL SUPPORT

email: US_CBUsupport@flir.com

www.flir.com
 NASDAQ: FLIR

Equipment described herein may require US Government authorization for export purposes. Diversion contrary to US law is prohibited. Imagery for illustration purposes only. Specifications are subject to change without notice, check our website: www.flir.com
 ©2019 FLIR Systems, Inc. All rights reserved.
 Updated 10/01/2019

19-2344-OTS



The World's Sixth Sense™