



FIXED SURVEILLANCE SYSTEM FOR PERIMETER SECURITY

FLIR ARGUS™

Argus is a fixed, rugged, integrated wide-area surveillance system. Combining a best-in-class radar and thermal camera with Command and Control software, Argus is designed to detect and track multiple threats both near and far in the most demanding weather conditions 24/7. When compared to other perimeter security solutions, Argus has the lowest initial cost per kilometer of secured space as well as the lowest lifetime cost.

Built to support airport security, military flight line security, port security, and border security, Argus provides 360° detection and tracking of more than 500 targets simultaneously 24/7. With only two connections—AC power and Ethernet—and installable in hours out of the box, it's extremely simple to integrate. Laser designator, laser rangefinder, laser pointer, and illuminator provide other personnel, vehicles, and C2 systems with target bearing and geo-reference coordinates to identify precise location and direction of the target.

FEATURES

RADAR + THERMAL/VISIBLE CAMERAS

Optional payloads cover up to four spectral bands including visible, NIR, SWIR, and MWIR with slew-to-cue of cameras to radar.

INSTALLS IN HOURS, NOT DAYS

Designed for easy installation with minimal infrastructure requirements, Argus is preconfigured to virtually eliminate any integration risk.

TRACK MORE THAN 500 TARGETS SIMULTANEOUSLY

Laser designator, rangefinder, pointer and illuminator options plus Cameleon™ Tactical fusion of multiple sensors provide precise target bearing and location.

MULTIPLE POWER OPTIONS

Run Argus on 120/240 VAC, batteries, generator, wind or solar power

CONTINUOUS PERIMETER SECURITY

Detect and track targets at a range up to 30 km over a full 360°, 24/7.

APPLICATIONS

AIRPORT SECURITY

MILITARY FLIGHT LINE SECURITY

PORT SECURITY

PETROCHEMICAL FACILITY PROTECTION

CRITICAL INFRASTRUCTURE PROTECTION

PIPELINE SECURITY

BORDER SECURITY

SPECIFICATIONS

Radar Options

FMCW and Doppler options, Ka and X band, ranging from 700 m to 60 km

Camera Options

Field of View (FOV) 0.5 degrees to 40 degrees

Focal Length 13 mm to 1200 mm

Camera Wavelength Options

High Definition Imaging High Definition (HD) Mid-Wave Infrared (MWIR)
HD Long Wave Infrared (LWIR)
Short Wave Infrared (SWIR)
HD Color Zoom and Color Night Vision (CNV)

Payload Options

Lasers Laser Designator
Laser Rangefinder
Laser Pointer (NIR & SWIR wavelength)

Illuminators NIR & SWIR wavelength

Command & Control

Cameleon™ Tactical Track fusion of multiple sensors, slew-to-cue of camera to radar, mapping functionality, zone management, video archiving and distribution, and alarm notification and management

Simultaneously Tracking >500 Targets

Environmental

Power Options 120/240 VAC, batteries, generator, wind or solar power

Length 23 in. (58 cm)

Width 18 in. (46 cm)

Mast Height Options 1, 2 and 3m (3.2, .6.5 and 9.8 ft)

Standard Features

Surge Suppression

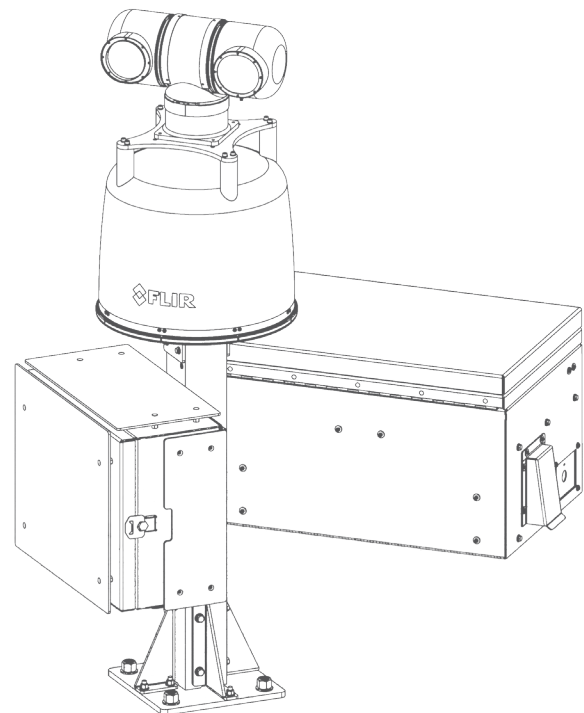
Temperature Monitoring

AC Power and communications monitoring

Fiber and Wire Ethernet Communications

Server

Tamper monitoring



AMERICAS

FLIR Systems, Inc.
Corporate Headquarters
27700 SW Parkway Ave
Wilsonville, OR 97070
Office: +1 877.773.3547

FLIR Systems, Inc.
DC Headquarters
1201 S. Joyce Street
Suite C006
Arlington, VA 22202
Office: +1 703.682.3400

EUROPE

FLIR Systems
2 Kings Hill Avenue - Kings Hill
West Malling, Kent ME19 4AQ
United Kingdom
Office: +44 (0)1732 220 011
Fax: +44 (0)1732 843 707

FLIR Systems AB
Antennvägen 6,
PO Box 737
SE-187 66 Täby
Sweden
Office: +46 (0)8 753 25 00

MIDDLE EAST

FLIR Systems B.V. - Abu Dhabi
Wadi Al Fey St.
Building 60, Office # 302
New Ministries Exit / Khalifa Park Area
Abu Dhabi, U.A.E.
Office: +971 2 666 1561
e-Fax: +1 503 914 1591

FLIR Systems Saudi Arabia
Office 127, First Floor
Akaria Plaza Building, Olaya Street
Riyadh, 11481, Saudi Arabia
Office: +966 11 464 5323
Fax: +966 11 464 0438

ASIA

FLIR Systems Japan K.K.
Meguro Tokyu Bldg. 5F,
2-13-17
Kami-Osaki, Shinagawa-ku.
Tokyo, 141-0021, Japan
Office: +81-3-6721-6648

For More Information contact
surveillance_sales@flir.com

www.flir.com
NASDAQ: FLIR

Equipment described herein is subject to US export regulations and may require a license prior to export. Diversion contrary to US law is prohibited. Imagery for illustration purposes only. Specifications are subject to change without notice. ©2019 FLIR Systems, Inc. All rights reserved. 01/04/19

18-0682-SUR-Argus-Specsheet LTR



The World's Sixth Sense®