



## INTEGRATED SYSTEM TO DETECT ELEVATED SKIN TEMPERATURE

# FLIR A700-EST™ IS

The FLIR A700-EST™ IS is a non-contact screening tool designed to detect elevated skin temperatures that can be a first line of defense against potential health risks.

The fully integrated, scalable solution includes the revolutionary FLIR A700 Thermal Camera paired with a high definition, user-friendly interface. Easy to deploy, the FLIR A700-EST IS detects and visualizes heat to quickly identify individuals with an elevated skin temperature.

Force readiness relies on the health and safety of the unit. Contagions such as COVID-19, SARS, and other viruses can manifest themselves in the form of elevated skin temperature—a possible sign of infection. While FLIR cameras are not capable of detecting or diagnosing viruses, the US FDA registered systems represent a simple, first measure to mitigate further contagion and possible rebound, providing confidence to return to normalcy and maintain unit readiness.

## FEATURES

### RAPID SCREENING CAPABILITY

Screens individuals in just seconds or, when used with multiple cameras in high traffic spaces, spots anomalies in skin temperatures to quickly identify individuals who may need further screening.

### INTUITIVE USER INTERFACE

The screening function offers a simplified monitor view with large colored indicators that facilitate rapid decision-making. With just a few steps in the initial setup, users can quickly start the screening process. Privacy is ensured through an avatar display.

### INDUSTRY LEADING SENSITIVITY

The A700-EST IS offers a high measurement accuracy with minimal temperature drift over time: just  $\pm 0.3^{\circ}\text{C}$  ( $\pm 0.5^{\circ}\text{F}$ ).

### 510K REGISTRATION

FLIR EST cameras meet the ISO/IEC/FDA recommendations, and FLIR maintains system registration with the FDA.

### DEPLOYED IN MINUTES

Simple to set up with only two cables and PoE to operate the camera and touchscreen display. Once system is fully powered on initial set up, calibration takes approx. 10 minutes to complete before ready for use.

## APPLICATIONS

EFFICIENT WORKFORCE SCREENING

ARMED FORCES INSTALLATIONS

CONTRACTOR ACCESS SCREENING

SCREENING VISITORS

TRAINING AND FORCE READINESS

## SPECIFICATIONS

<b>Thermal Imager</b>	<b>A700 Thermal Camera</b>
IR Resolution	640 × 480
Thermal Sensitivity	<30 mK to <50 mK, lens dependent
Lenses	14°, 24°, and 42°
IR Camera Focus	One-shot contrast, motorized, manual
<b>Measurement</b>	
Object Temperatures	-20°C to 2000°C (-4°F to 3632°F), 3 ranges
EST Accuracy (drift)	±0.3°C (±0.5°F)
Full Range Accuracy	±2°C (±4°F) or ±2% of reading
<b>Single-Head Remote Integrated EST Screening (A700-EST IS, P/N 29588-200)</b>	
Sensor Head	Single A700 Thermal Camera
Smart Display	12" or 15" Smart Display with options for touchscreen VESA or desktop mounted with software embedded
<b>Multi-Head Remote Integrated EST Screening (A700-EST IS-6, P/N 29588-201)</b>	
Sensor Head	Multiple A700 Thermal Cameras
Server Rack	4U Server Rack, GPU, i9, up to 6 heads with embedded software
Smart Display	Customer stated display sizes available. VESA or desktop mounted
<b>FLIR Software</b>	
UI	Touchscreen-capable
Modes	Avatar (privacy) Enhanced Avatar (adjustability and color) Color-coded elevated skin temp indicator (green, yellow) Audio alarm Sample size requirement notification Key coded admin screen
<b>Power Requirements</b>	
Voltage	120 or 220 VAC power
Cables	Power over Ethernet (included power supply)
Battery	Option for battery backup or battery power for remote locations

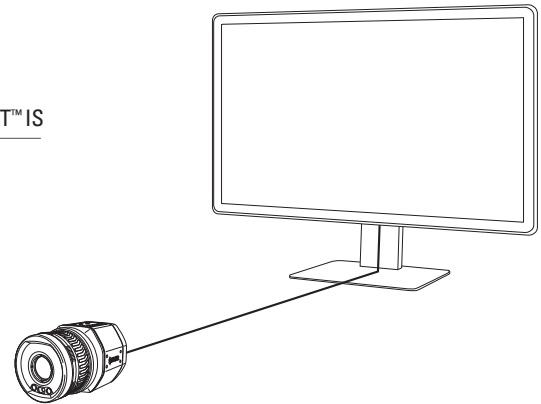
### DISCLAIMER:

FLIR devices are intended for use as an adjunct to clinical procedures in the screening of skin surface temperature. Various environmental and methodological factors can impact thermal imaging; therefore, it should not be relied upon as the sole determinant of a person's body temperature. Use of a medical device will be needed to identify elevated body temperature.

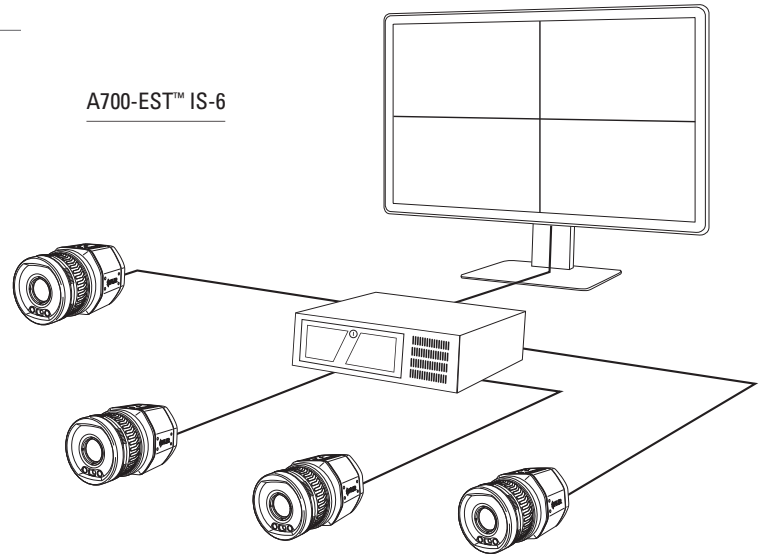


Versatile enough to handle Multiple EST screening stations

### A700-EST™ IS



### A700-EST™ IS-6



### AMERICAS

FLIR Systems, Inc.  
Corporate Headquarters  
27700 SW Parkway Ave  
Wilsonville, OR 97070  
Office: +1 877.773.3547

FLIR Systems, Inc.  
DC Headquarters  
1201 S. Joyce Street  
Suite C006  
Arlington, VA 22202  
Office: +1 703.682.3400

### EUROPE

FLIR Systems  
2 Kings Hill Avenue - Kings Hill  
West Malling, Kent ME19 4AQ  
United Kingdom  
Office: +44 (0)1732 220 011  
Fax: +44 (0)1732 843 707

FLIR Systems AB  
Antennvägen 6,  
PO Box 737  
SE-187 66 Täby  
Sweden  
Office: +46 (0)8 753 25 00

### MIDDLE EAST

FLIR Systems B.V. - Abu Dhabi  
Wadi Al Fey St.  
Building 60, Office # 302  
New Ministries Exit / Khalifa Park Area  
Abu Dhabi, U.A.E.  
Office: +971 2 666 1561  
e-Fax: +1 503 914 1591

FLIR Systems Saudi Arabia  
Office 127, First Floor  
Akaria Plaza Building, Olaya Street  
Riyadh, 11481, Saudi Arabia  
Office: +966 11 464 5323  
Fax: +966 11 464 0438

### ASIA

FLIR Systems Japan K.K.  
Meguro Tokyu Bldg. 5F,  
2-13-17  
Kami-Osaki, Shinagawa-ku.  
Tokyo, 141-0021, Japan  
Office: +81-3-6721-6648

For more information contact  
surveillance\_sales@flir.com

www.flir.com  
NASDAQ: FLIR

Equipment described herein is subject to US export regulations and may require a license prior to export. Diversion contrary to US law is prohibited. Imagery for illustration purposes only. Specifications are subject to change without notice. ©2020 FLIR Systems, Inc. All rights reserved.

20-0781\_SUR\_FLIRA700-EST IS  
05/18/2020  
US\_LTR



The World's Sixth Sense®